

Chassis

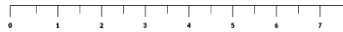
for units 1 - 2 - 3 - 6 - 7 TBG

D2889

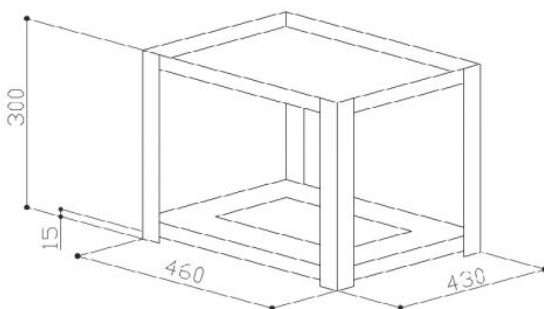
MADE IN FRANCE



CUSTOM MADE



To accommodate your cooling unit we offer a range of robust stainless steel frames.



Technical Specifications

DIMENSION VERTICALE (MM)	460 x 430 x 300
--------------------------	-----------------

To discover more about this product, scan this QR code.

